

Specifications:**Model 220-5.5-1000**

Capacity: 0.5 - 2 tonnes/minute

Maximum head: 4 metres

Motor size: 5.5 kw

Model 220-11-1400

Capacity: 0.5 - 4 tonnes/minute

Maximum head: 6 metres

Motor size: 11 kw

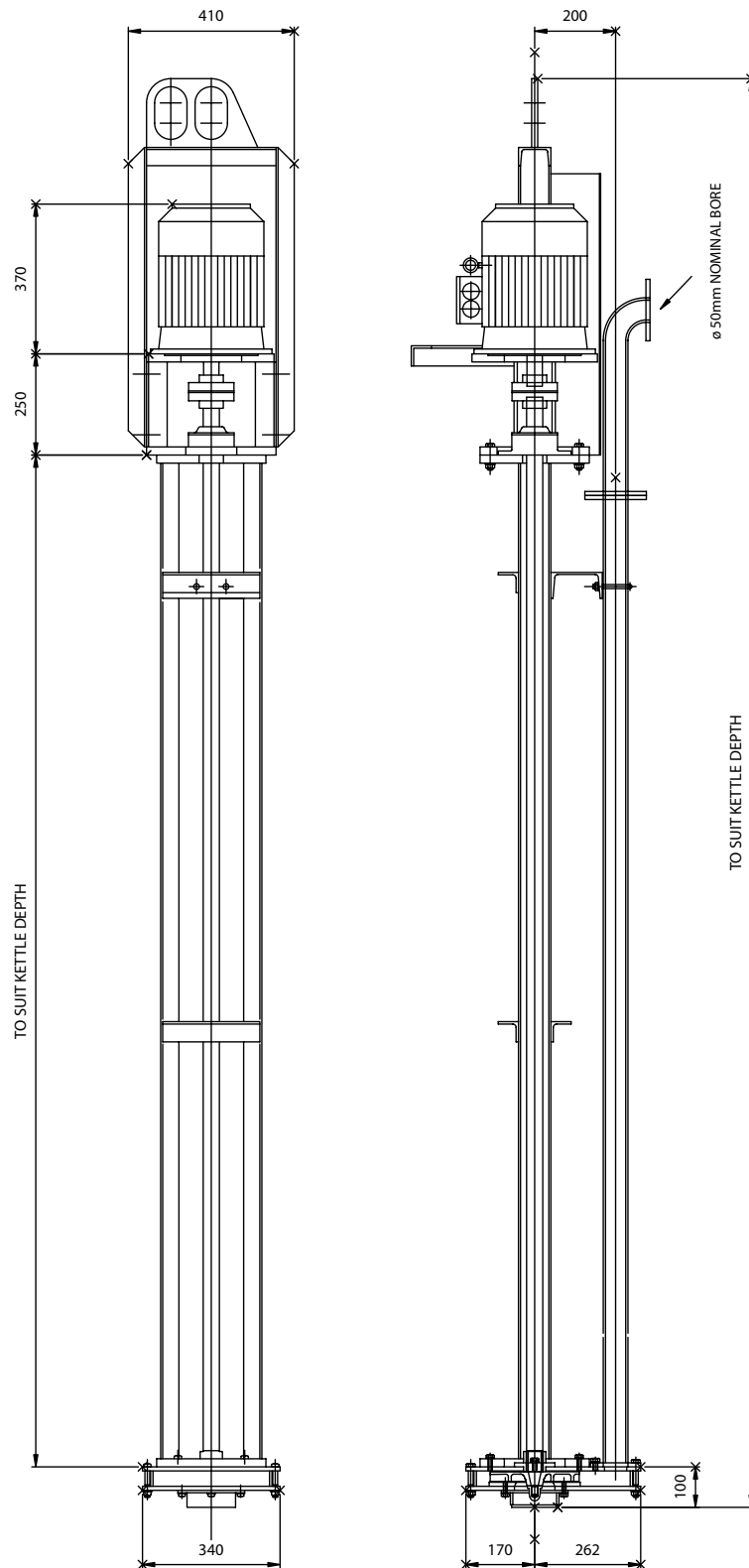
Features

- Split impeller casing for ease of maintenance
- Variable speed drive for ease of control of discharge rate
- Inverter drive for remote speed adjustment
- Robust construction



Typical Dimensions

PROTHERM SIZE 220-5.5-1000 ZINC PUMP



For more information please contact us at:

Protherm Engineering (Walsall) Ltd.
Unit 33, Birchbrook Industrial Estate, Lynn Lane, Shenstone, Lichfield WS14 0DJ

T +44 (0)1543 481143 F +44 (0)1543 480330 E info@prothermengineering.co.uk

